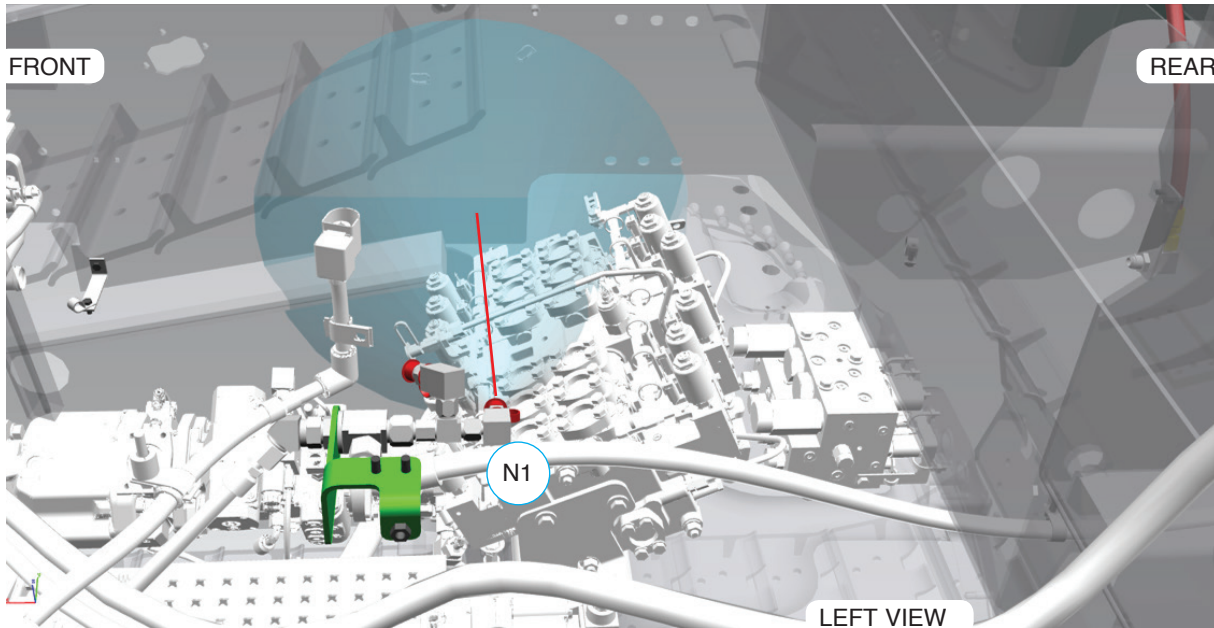


### N1 NOZZLE

N1 Nozzle location is under operator compartment deck, in middle of upper left-side transmission compartment.

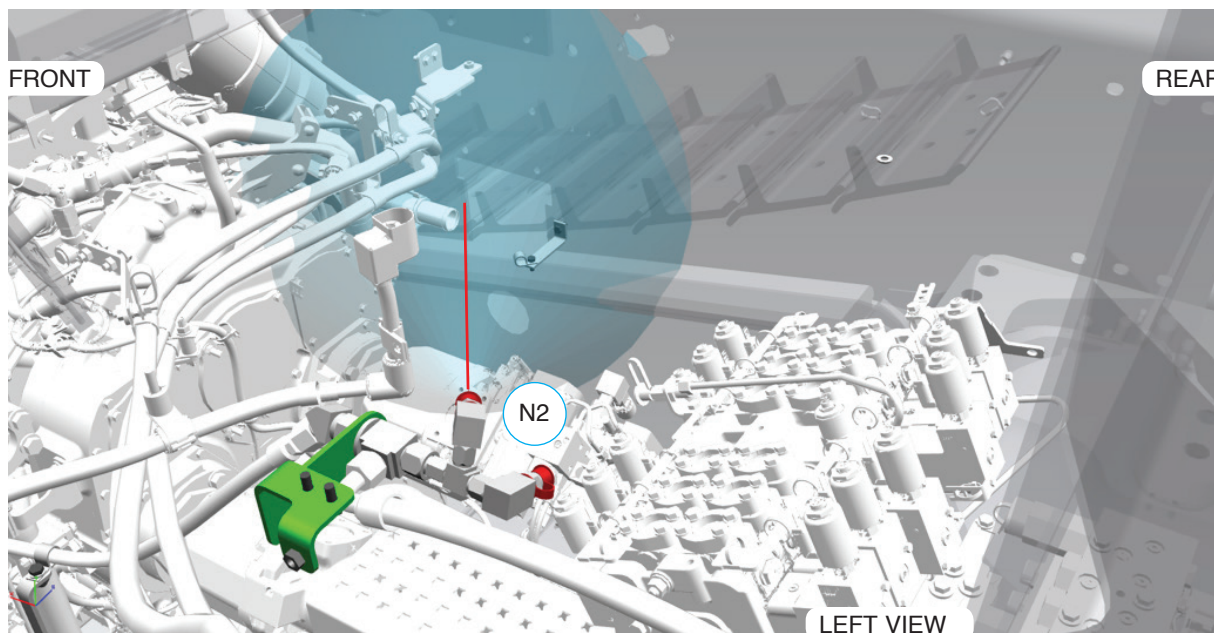
- Aims down and in
- Covers right-side of hydraulic valve and pumps



### N2 NOZZLE

N2 Nozzle location is under operator compartment deck, in middle of upper left-side transmission compartment.

- Aims down and slightly forward
- Covers right-side of hydraulic pumps and fuel lines



## CAT D10T, LVS-9.5 NOZZLE SCHEDULE

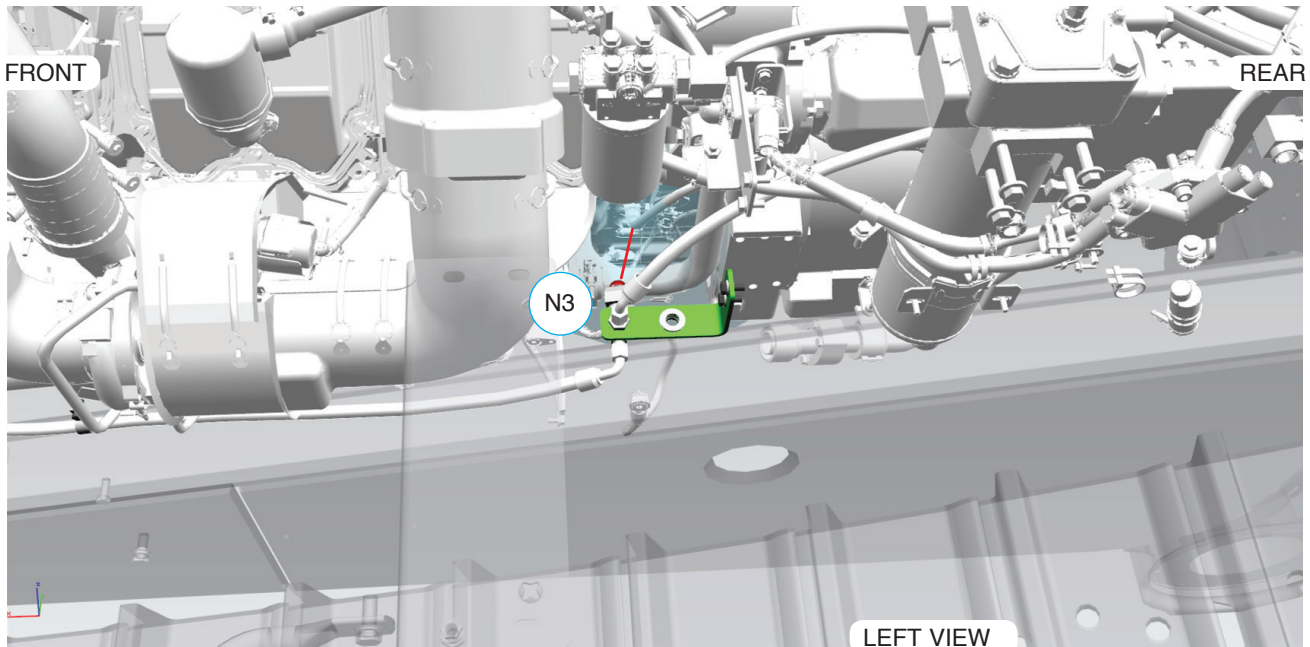
(Form No. F-2017194)

PAGE 2 REV. 0 2017-AUG-31

### N3 NOZZLE

N3 Nozzle location is the rear left-side of engine compartment.

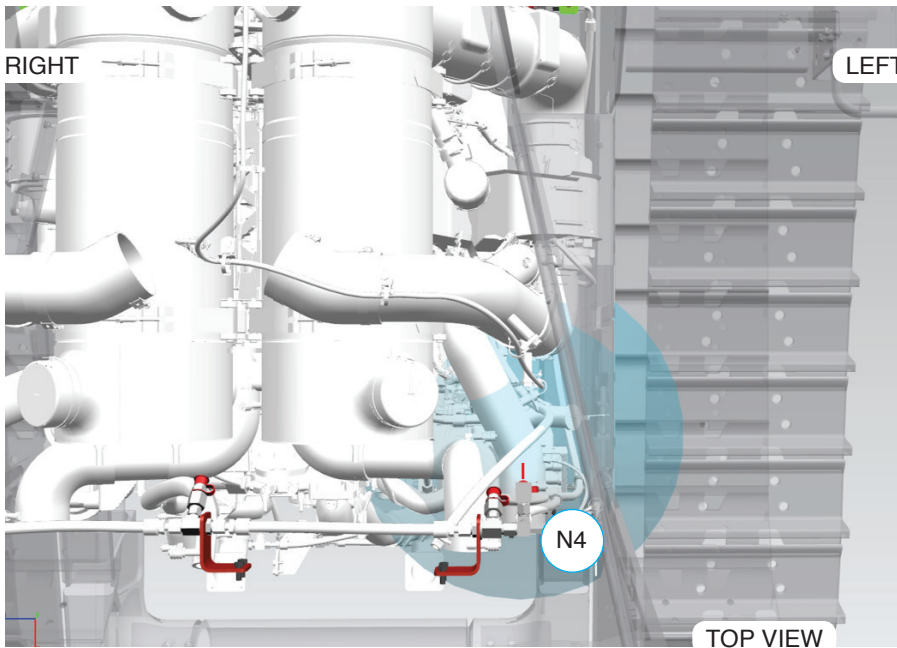
- Aims down and in
- Covers left-side of starter



### N4 NOZZLE

N4 Nozzle location is above front left corner of engine.

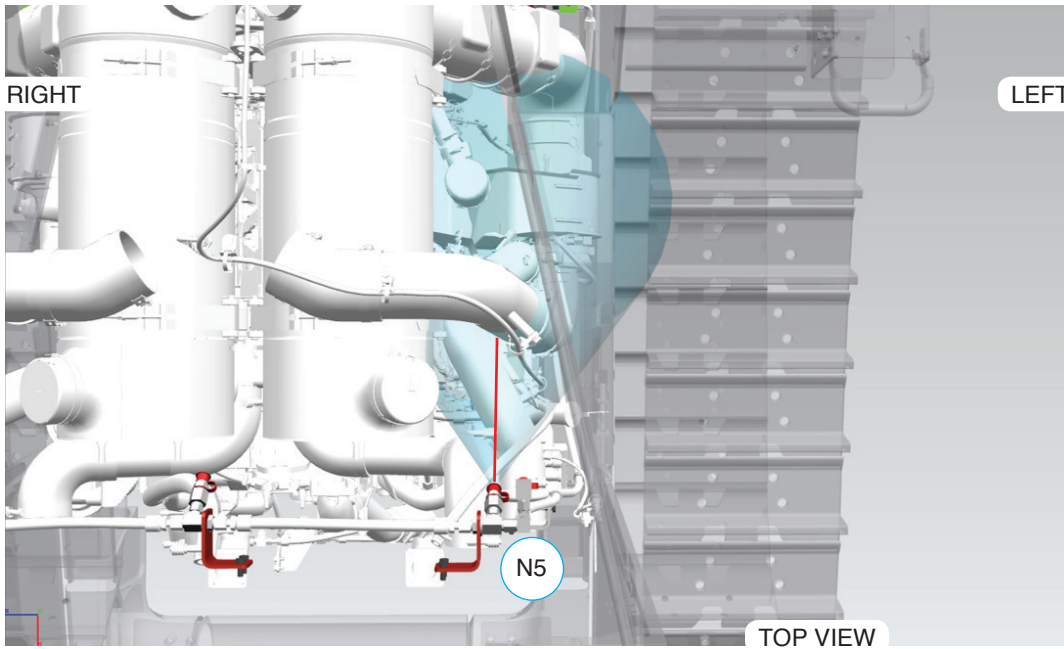
- Aims straight down
- Covers fuel filter group



**N5 NOZZLE**

N5 Nozzle location is above front left corner of engine.

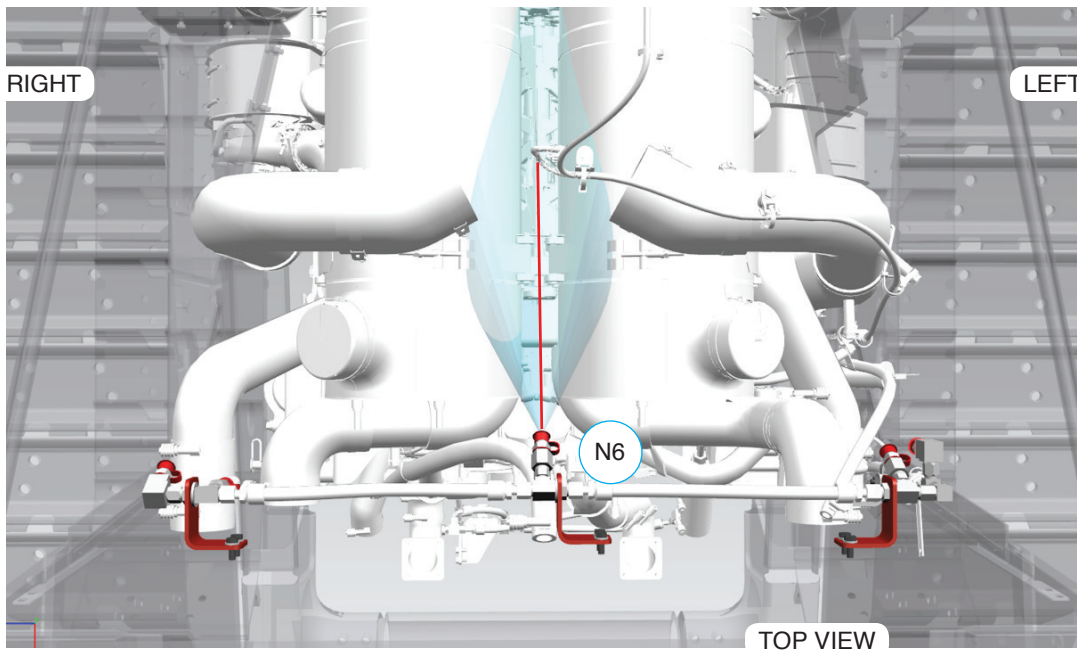
- Aims down and in
- Covers left turbocharger



**N6 NOZZLE**

N6 Nozzle location is middle upper back edge of radiator housing, between two mufflers.

- Aims down and back
- Covers top of engine and inner sides of mufflers





**CAT D10T, LVS-9.5 NOZZLE SCHEDULE**

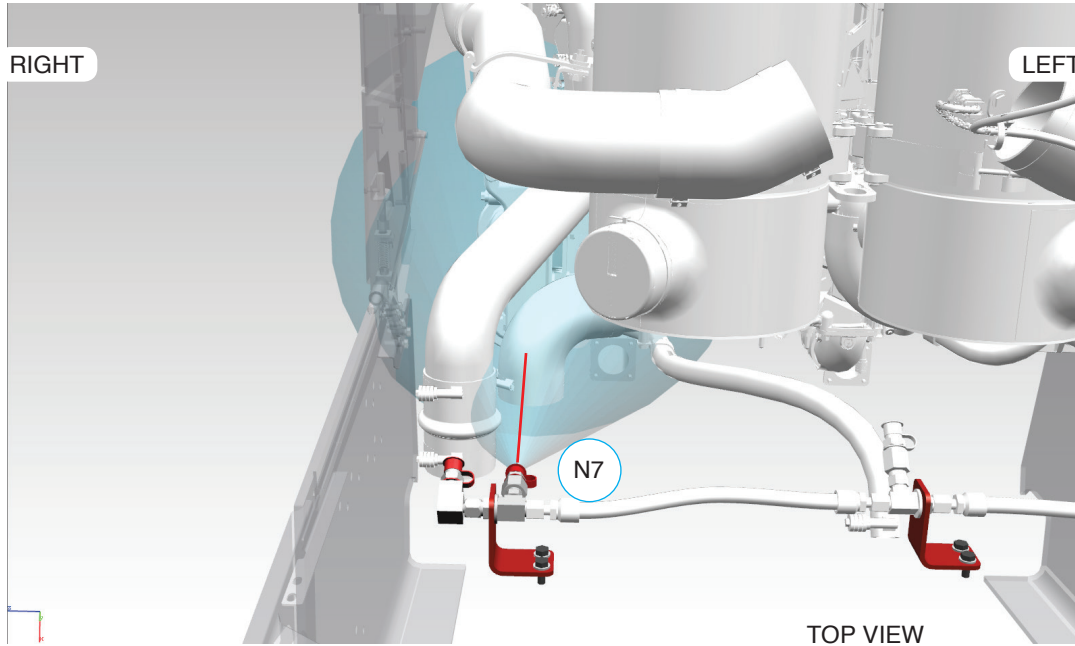
(Form No. F-2017194)

PAGE 4 REV. 0 2017-AUG-31

**N7 NOZZLE**

N7 Nozzle location is upper back right corner of radiator housing.

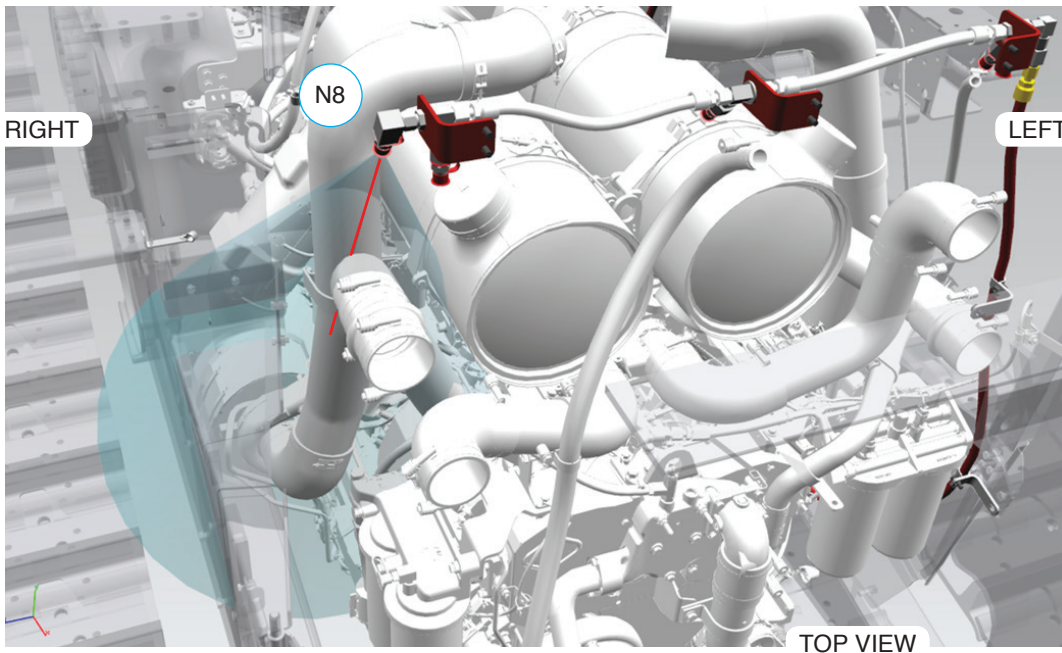
- Aims straight down
- Covers fuel filter group



**N8 NOZZLE**

N8 Nozzle location is upper back right corner of radiator housing.

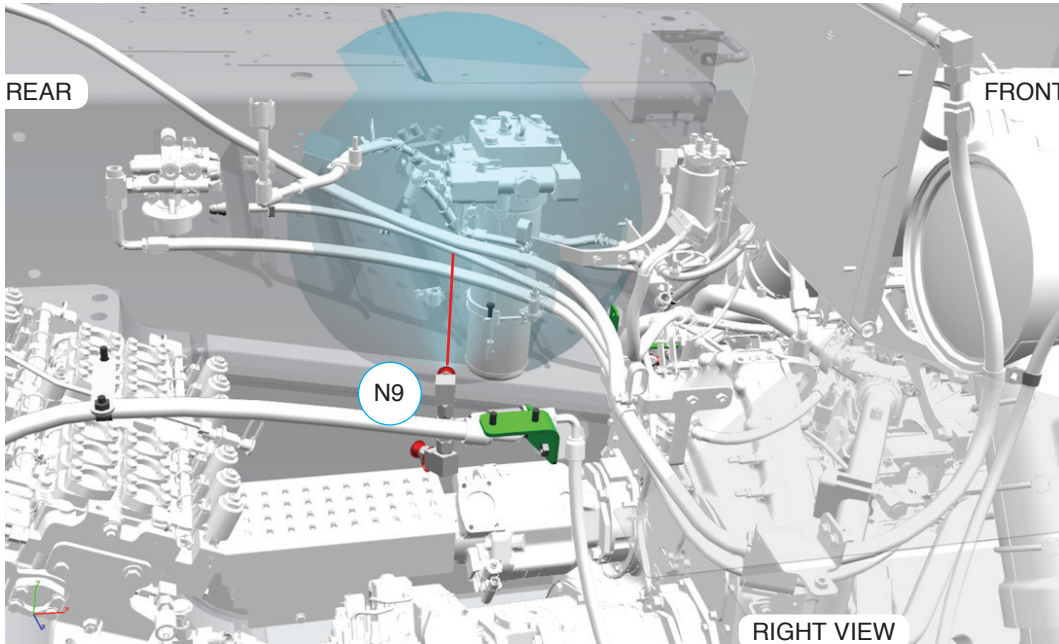
- Aims down and in
- Covers turbochargers on right-side of engine



**N9 NOZZLE**

N9 Nozzle location is front of upper right-side of transmission compartment.

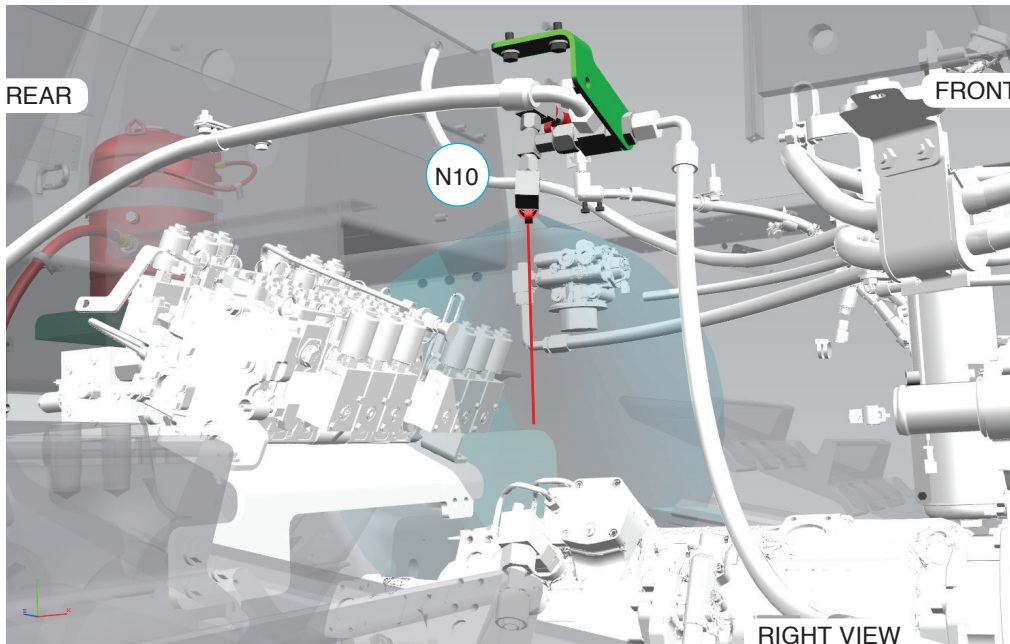
- Aims down and in
- Covers right-side of hydraulic valves, fuel priming pump, and fuel lines



**N10 NOZZLE**

N10 Nozzle location is front of upper right-side of transmission compartment.

- Aims down and slightly forward
- Covers electric pass-through from batteries



## CAT D10T, LVS-9.5 NOZZLE SCHEDULE

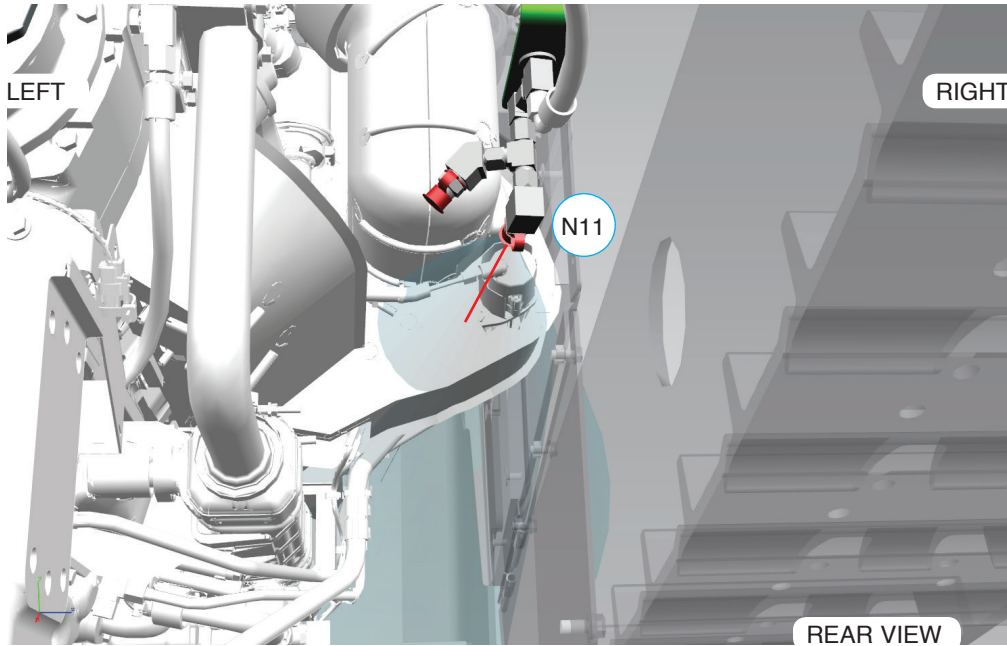
(Form No. F-2017194)

PAGE 6 REV. 0 2017-AUG-31

### N11 NOZZLE

N11 Nozzle location is rear right-side of engine compartment.

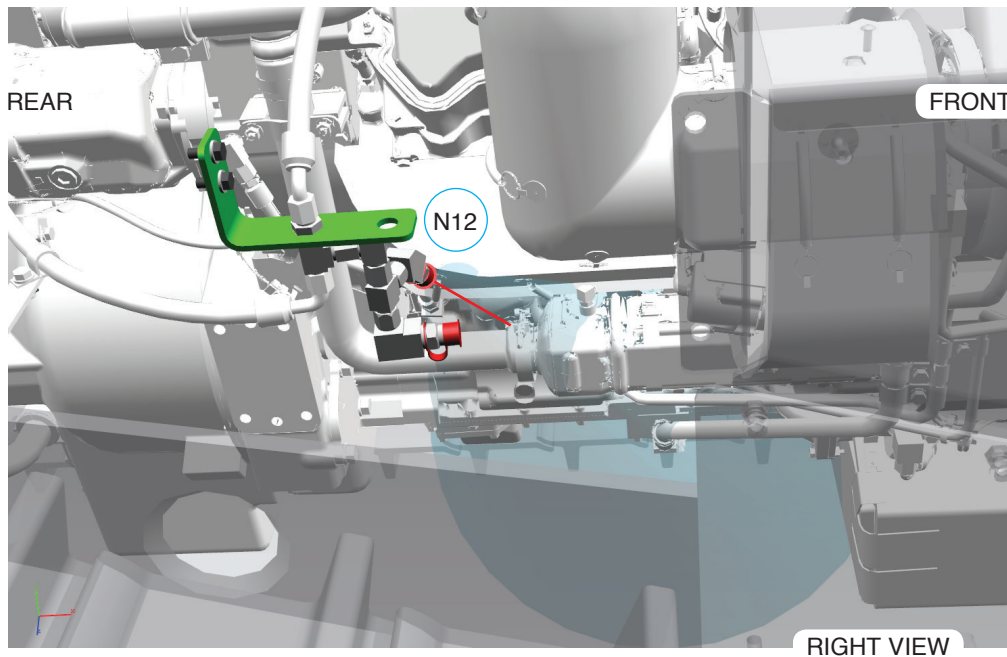
- Aims straight toward front of machine
- Covers center bottom rear of right-side turbocharger



### N12 NOZZLE

N12 Nozzle location is rear right-side of engine compartment.

- Aims down and slightly forward
- Covers right-side starter

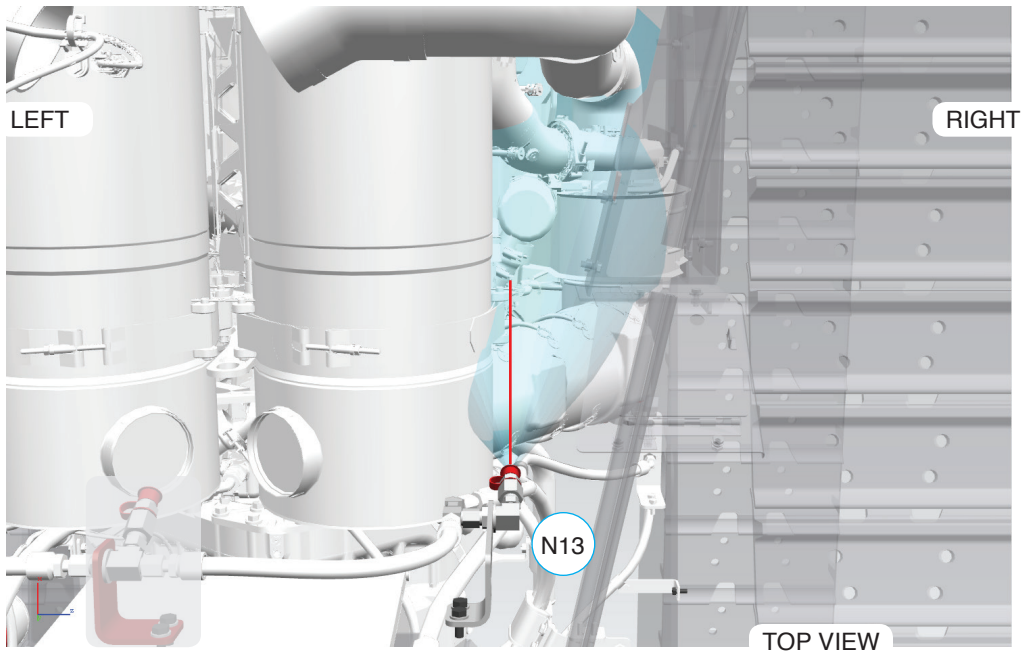




**N13 NOZZLE**

N13 Nozzle location is on the upper right-side of rear engine compartment near fire wall.

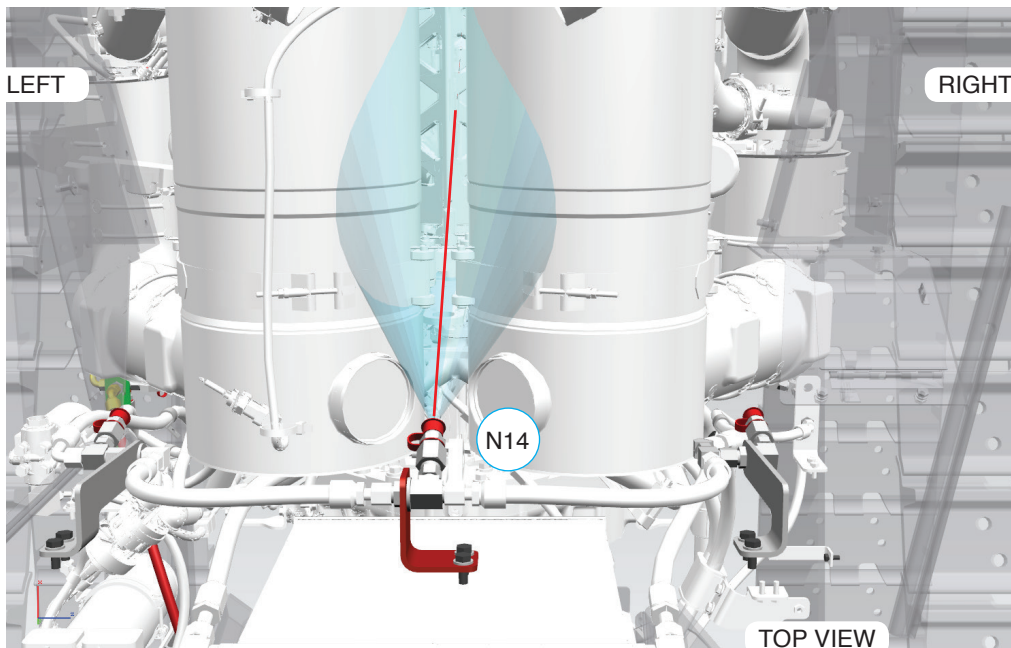
- Aims straight down
- Covers right-side turbocharger and rear engine



**N14 NOZZLE**

N14 Nozzle location is on the top center of rear engine compartment near fire wall.

- Aims down and slightly forward
- Covers center top of engine and mufflers



## CAT D10T, LVS-9.5 NOZZLE SCHEDULE

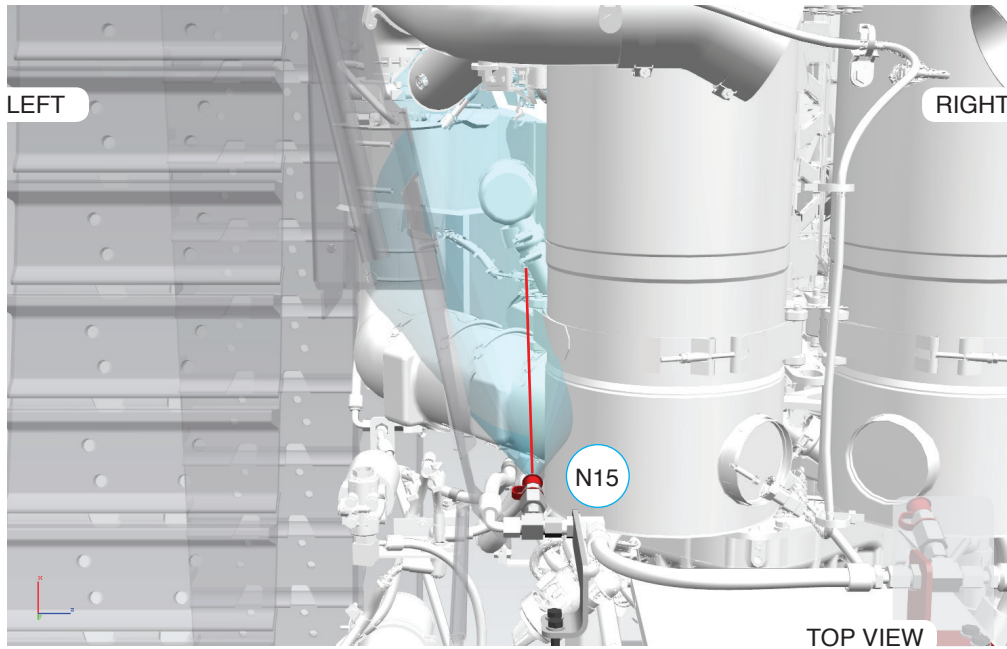
(Form No. F-2017194)

PAGE 8 REV. 0 2017-AUG-31

### N15 NOZZLE

N15 Nozzle location is on the top left rear of engine compartment near fire wall.

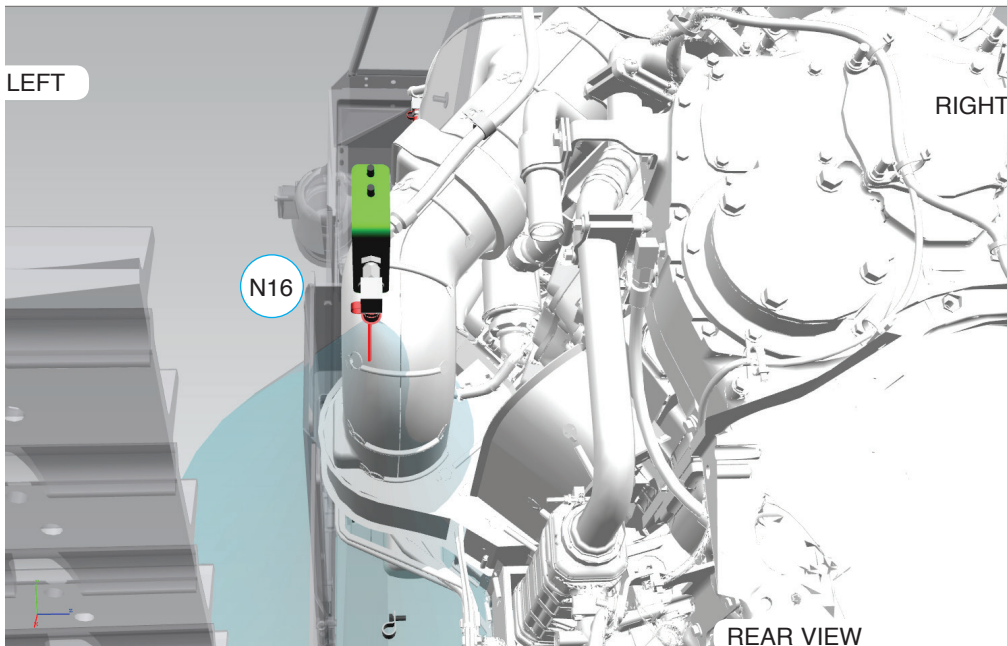
- Aims down and slightly forward
- Covers left-side turbocharger and rear engine



### N16 NOZZLE

N16 Nozzle location is on the bottom left back of engine compartment.

- Aims down and in
- Covers left-side rear of turbocharger



CAT is a trademark of Caterpillar Inc.

ANSUL, LVS, and the product names in this material are marks and/or registered marks. Unauthorized use is strictly prohibited.